



LIFT SOLUTIONS

SERWA® GOODS LIFT

The cost effective
mezzanine goods lift.

FAST. EASY. COST EFFECTIVE.

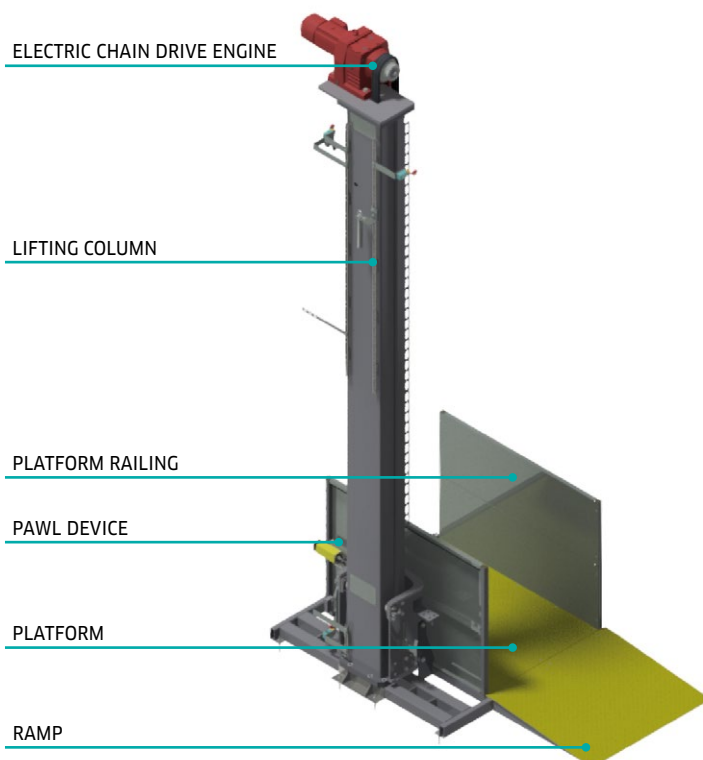
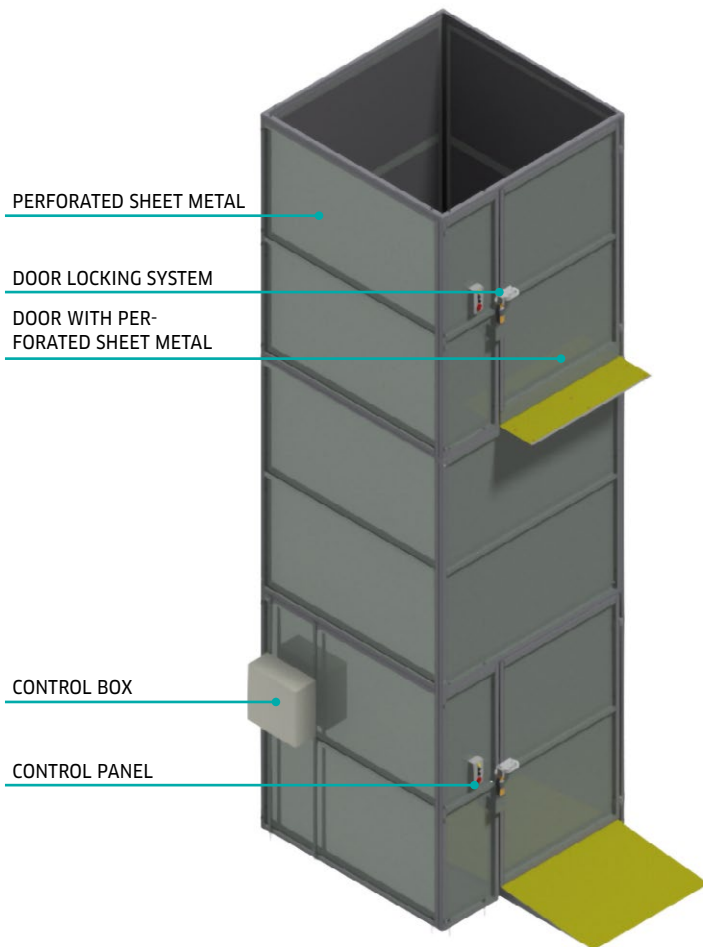
- Quick delivery
- Installation within one week
- Safest method to transport goods up to mezzanine
- No shaft required (free standing structure & cladding)
- No pit required and machine room required
- Efficient electric chain drive
- Low life cycle costs





LIFT SOLUTIONS

SERWA® GOODS LIFT



EFFICIENCY FEATURES

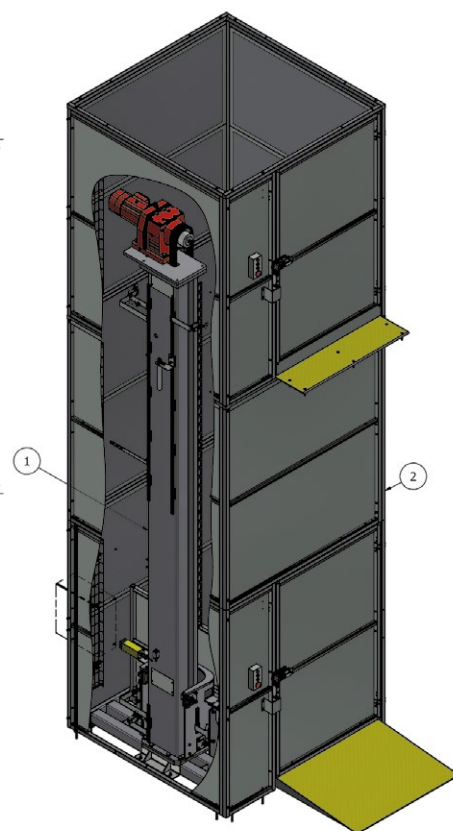
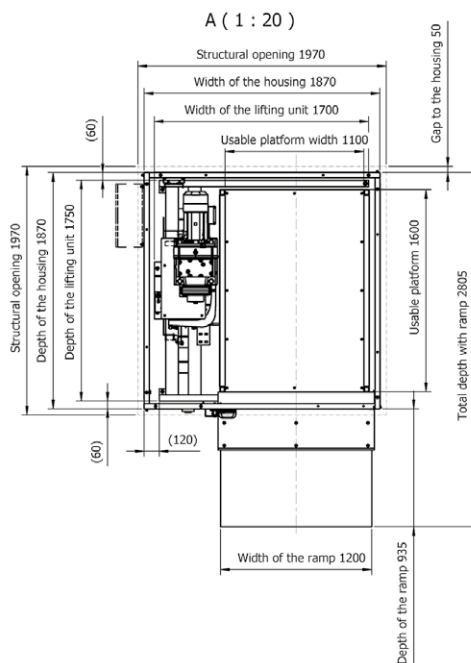
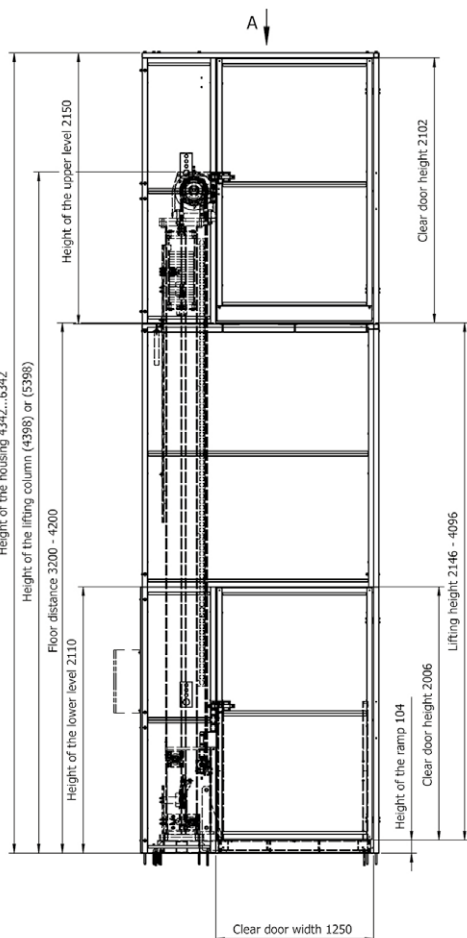
- Low maintenance and highly stable pre-galvanised perforated sheet metal casing requires no paintwork and keeps costs low.
- Electric chain drive engine is constructed for heavy duty and performs up to 20-30 cycles per hour.
- Free-standing, full steel lifting column requires no wall connection and can be easily integrated into existing rack systems. No shaft or pit required.
- Control box features full machine management without necessity of a separate machine room.
- Platform size of 1100 x 1600 mm provides space for standard pallet plus lifttruck and keeps the external shaft footprint as small as possible.

SAFETY FEATURES

- Door and platform (Pawl) locking system with mechanically and electrically interlocked gates prevents inadvertent opening.
- Control panels with emergency stop button, call & send button and busy lamp.
- Non-perforated, galvanised, long lasting steel platform railing secures objects from falling down into the shaft.
- Electrically interlocked platform can safely be entered for loading and unloading. The signal colour ensures high visibility.
- The light barrier below the upper door and the standard design with a clad enclosure protect goods and machine from damage.

ENVIRONMENTAL FEATURES

- Electric chain driven system which is both eco-friendly and reliable but also offers lower maintenance costs for clients.
- The high level performance with 20-30 cycles per hour allows an economic system utilization.



Designation	Weight (kg)
1 Lifting unit with platform	1514,42
2 Complete housing of goods lift	1097,48

TECHNICAL DATA

Maximum payload	under 1000 kg
Nominal speed	0.2 m/s
No. of stopping points	2
Lifting height	2146 mm up to 4096 mm
Usable platform size	1100 mm x 1600 mm
External shaft footprint	1870mm x 1870mm
Mezzanine shaft footprint	1970mm x 1970mm
Ramp	1200 mm x 935 mm
Door	1250 mm x 2000 mm
Loading configuration	Same side or through car loading
Controls	Call & Send button, with emergency stop and busy lamp
Power supply	3.4kW, 3/N/PE AC400V
Duty cycles	20 - 30 cycles per hour
Machinery directive	Compliant with EN 2006/42/EC



LIFT SOLUTIONS

SERWA® GOODS LIFT



ABOUT LÖDIGE INDUSTRIES

Lödige Industries is a worldwide specialist who designs and manufactures goods lifts and vehicle lifts, as well as automated car parking solutions and airport logistics systems. Our company was established in 1948 in Germany, where we are still privately owned today. All of our products are high quality, reliable solutions that we design and manufacture at our head office in Warburg, Germany.

Our UK office opened in 1986 and since then we have designed and installed over 1200 projects nationwide. Our years of experience enable us to confidently assist with budget costs, design and tenders, putting us a level above our competitors.



CAR PARK SOLUTIONS

Space-saving and secure car parking – with solutions designed by Lödige Industries Group.



AIRPORT LOGISTICS

High-performance logistics solutions for air cargo.



LIFT SOLUTIONS

Technical expertise for high-performance lift solutions.



INTRALOGISTICS

State of the art systems for automated handling of goods and merchandise.



AUTOMOTIVE

From high-bay warehousing for pressed components, bodywork, engines and gearboxes, through materials handling system, to control engineering.



LOGISTIC SOFTWARE

Software solutions for automating material flows and processes.



SERVICE

Expert fast services for individual assets & systems.



Lödige (United Kingdom) Ltd. | Laxton House
Crabtree Office Village | Eversley Way | Egham
TW20 8RY | United Kingdom
Tel.: +44 1784 221140 | Fax: +44 1784 471425
E-mail: uk@lodige.com

WWW.LODIGE.CO.UK

19-007-Lödige-ES-FLY-SERWA-EN-LUK-190111



Lödige Service – 24/7

We offer full service for your equipment after the installation: maintenance, spare parts, etc. Feel free to contact us.



+44 1784 221 140